

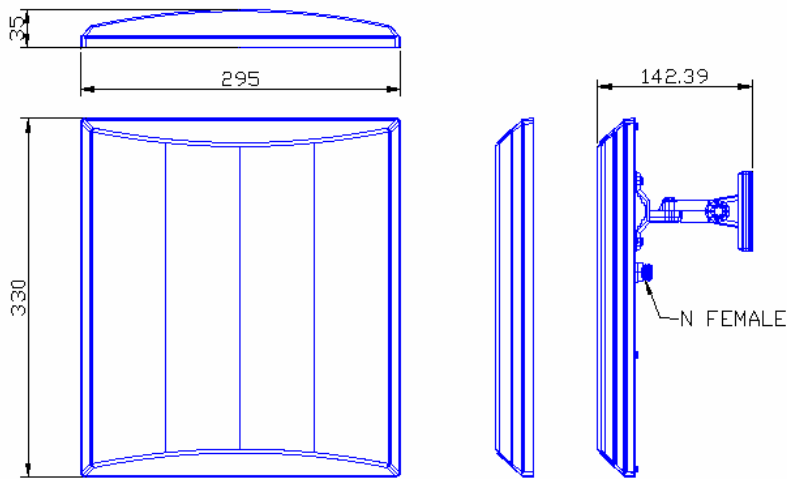


# **SPECIFICATION FOR APPROVAL**

**Description :** 2.4GHz PANEL ANTENNA

**Date :** 2006/09/19





### Electrical Specifications:

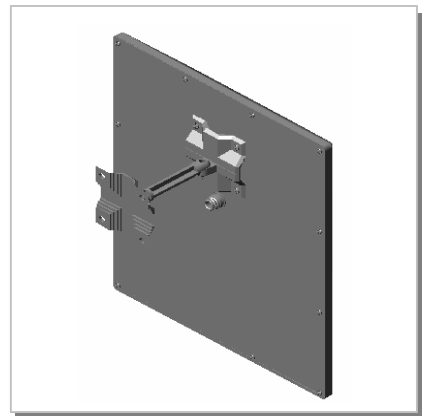
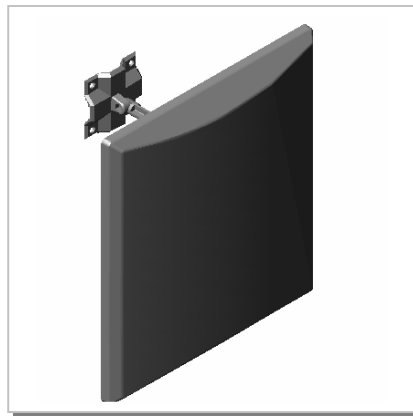
Frequency Range	2.4~ 2.4835GHz
VSWR	$\leq 2.0$
Impedance	$50\Omega \pm 5\Omega$
Gain	18 dBi
Polarization	Vertical
Power Handling	10 Watt
Beam Width	H: $25.8^\circ$ / E: $20.7^\circ$

### Mechanical Specifications:

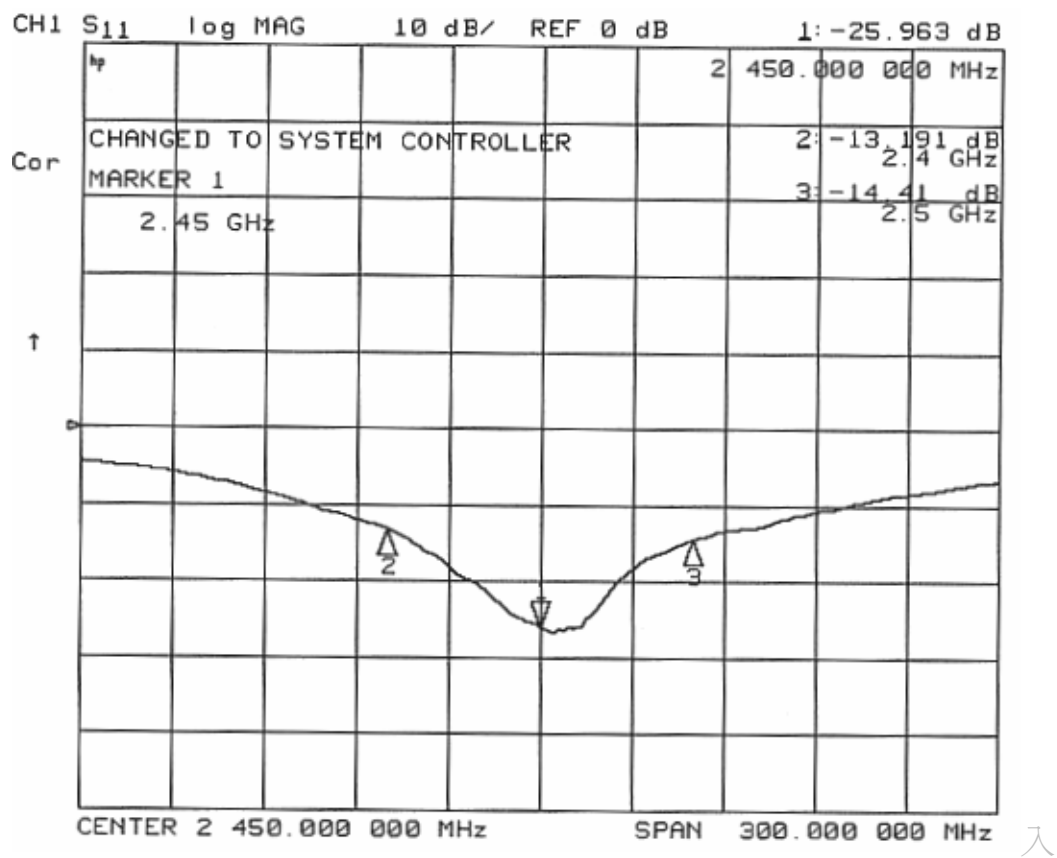
Connector	N Female
Operation Temp.	$-30^\circ\text{C} \sim +60^\circ\text{C}$
Material	Radome: ABS Mount: Zinc alloy
Dimension (L*W*H)	330*295*35 mm
Weight	$1344\text{g} \pm 20\text{g}$ (w/ mount)
Color	White



**3D Illustration**

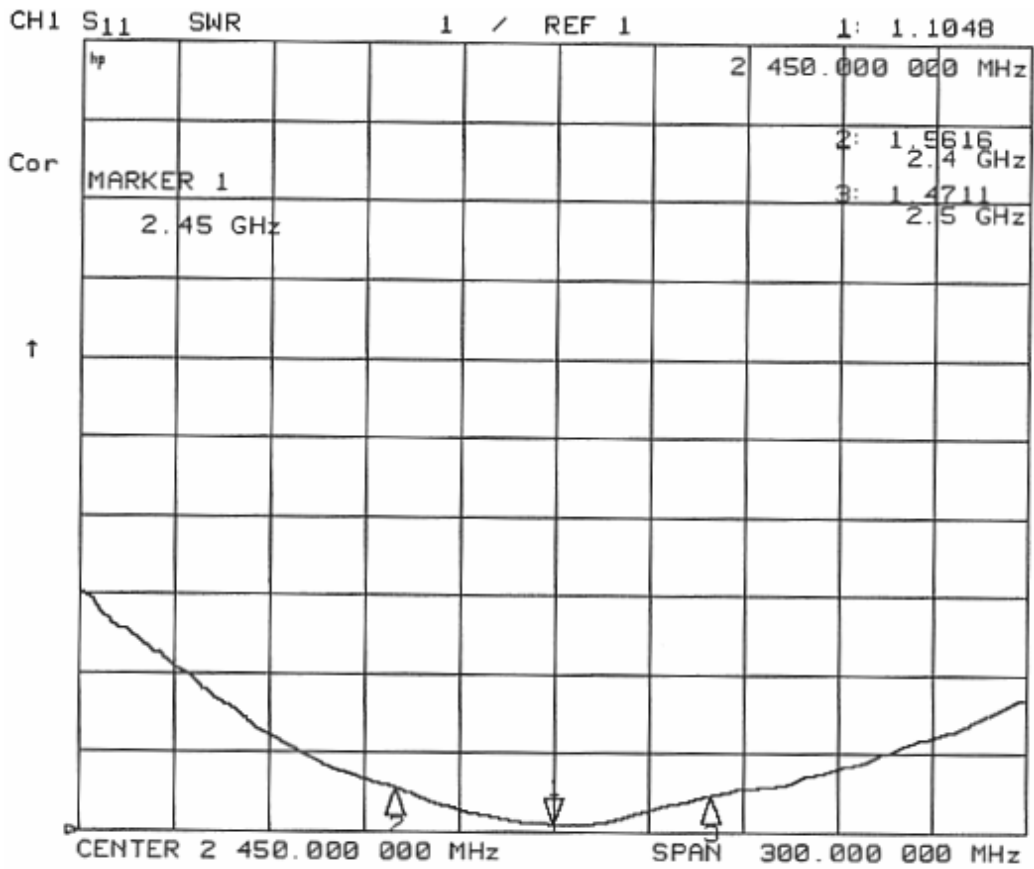


## RETURN LOSS



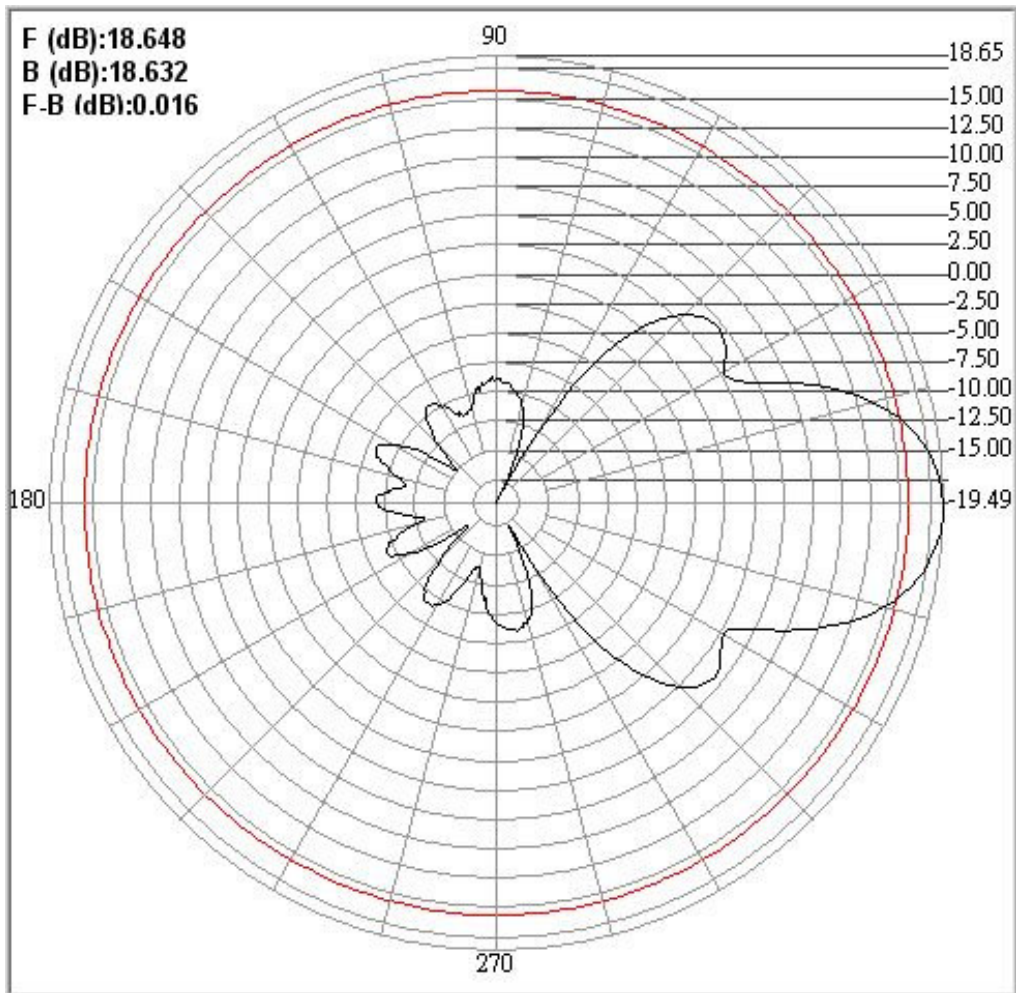


## SWR





## H-PLANE





## E-PLANE

