

420-490MHz YAGI 8dBi FOR N FEMALE



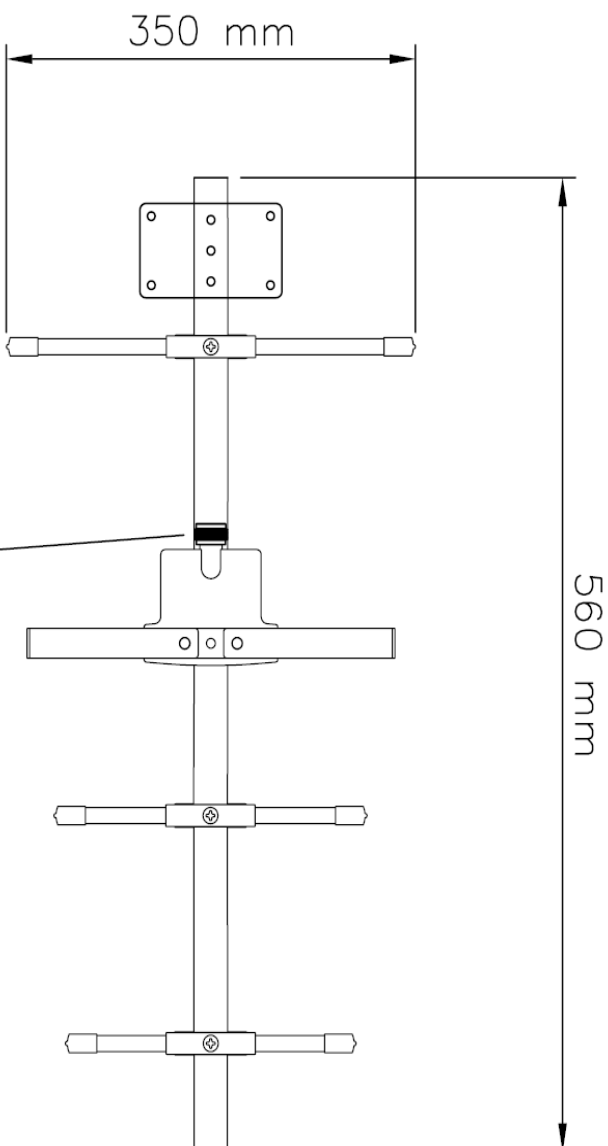
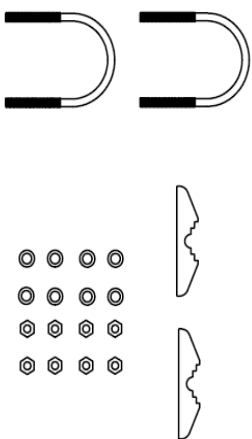
Specifications/Special Features :

This antenna is designed for wireless 420-490MHz communications

Specification	
Model No.	YA-433-01-NF
Antenna Category	YAGI
Frequency	420 – 490 MHz
Gain (dBi)	8 dBi
VSWR	≤ 2.0
Beam width deg.	Horz.80° Vert.50°
Polarization	Vertical
Impedance	50 Ω
Max. Power	100 W
Antenna Connector	N FEMALE
Antenna Material	Aluminum
Size	L560Xw350xH60 mm

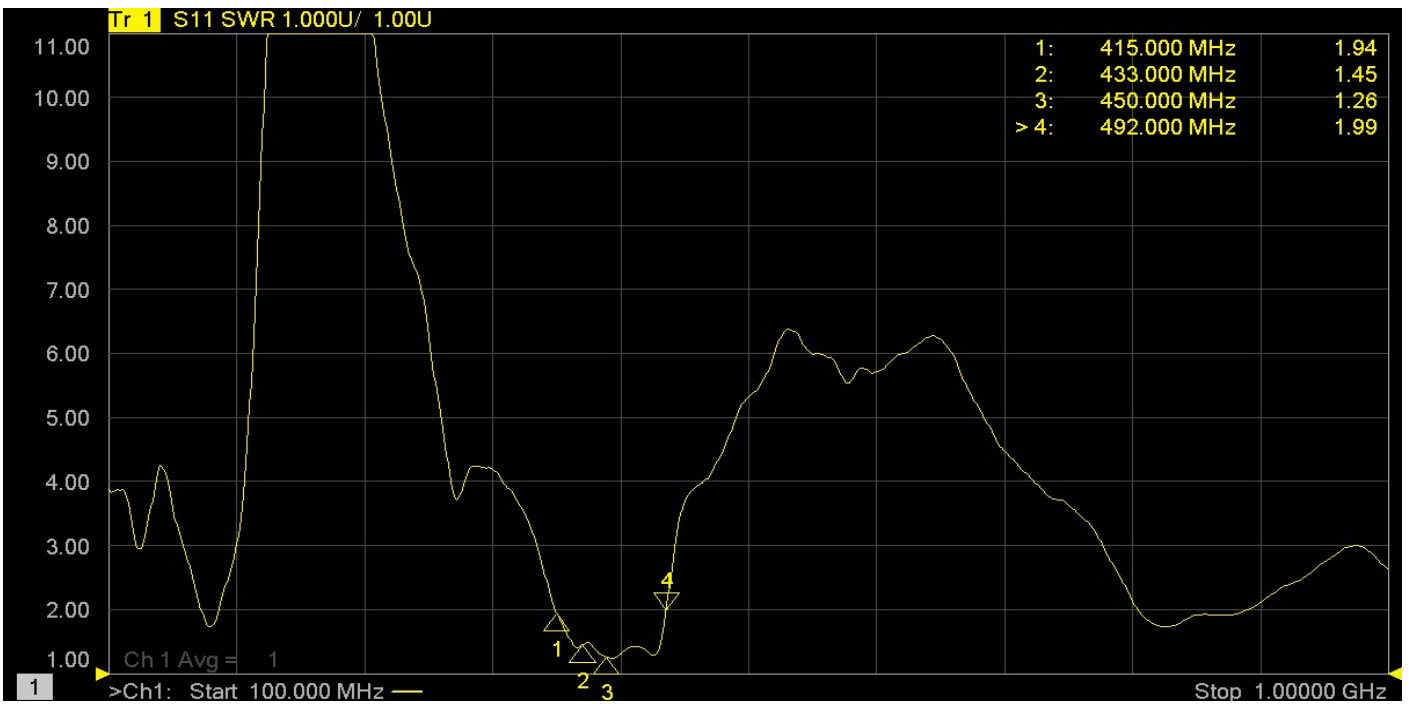
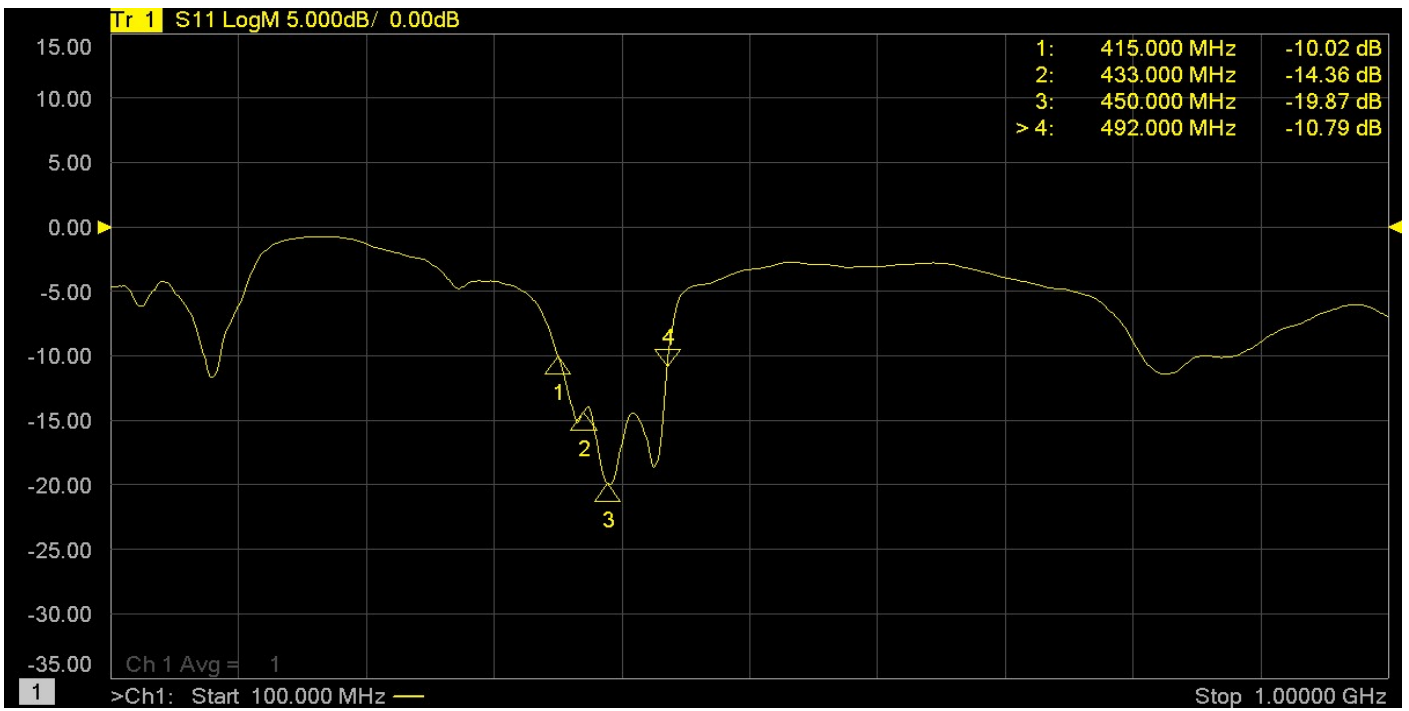
YA-433-01-NF

420-490MHz YAGI 8dBi FOR N FEMALE



ANTENNA CONNECTOR : N FEMALE

1	FREQUENCY : 420-490MHz	6	IMPEDANCE : 50 Ω
2	GAIN : 8dBi	7	
3	V.S.W.R : ≤2.0	8	
4	LENGTH : Lx560xW350xH36 mm	9	
5	ANTENNA CONNECTOR : N FEMALE	10	



H-PLANE

E-PLANE

